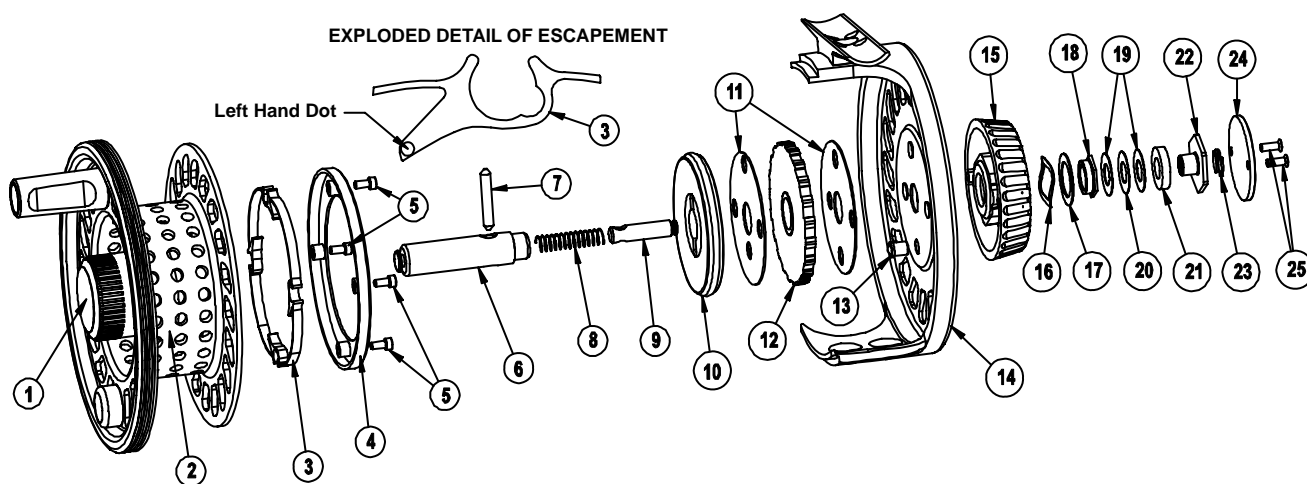


# Changing the Direction of the Retrieve on a Big Game Reel

## CHANGING THE DIRECTION OF THE RETRIEVE

1. Remove the Spool (2) from the Frame (14).
2. Using a #1 Phillips screwdriver, remove the four Escapement Assembly Screws (5) on the inner flange of the Spool (2).
3. Remove the Escapement Ring Cover (4).
4. Remove the Escapement Ring (3), turn it over, and replace it on the Spool (2). Align the Escapement Ring (3) screw holes with the Spool (2) screw holes. For left hand retrieve, the left hand dot will face out. (See exploded view at top of parts diagram.)
5. Replace the Escapement Cover (4), aligning the Escapement Cover (4) screw holes with the Escapement Ring (3) screw holes.
6. Reinsert and tighten the Escapement Screws (5) and replace the Spool (2) on the Frame (14). (Do not over-tighten the screws.)

**NOTE:** When changing the direction of the retrieve, the direction in which the backing and line are wound onto the spool must be reversed. When viewing the outer face of the spool, the backing and line should be wound on in a clockwise direction for left hand retrieve and in a counterclockwise direction for right hand retrieve.



1. SPOOL CAP & RELEASE	10. THRUST WASHER	19. WASHERS (2)
2. SPOOL	11. FRICTION WASHER (2)	20. SLIP WASHER
3. ESCAPEMENT RING	12. DRAG DISK	21. COMPRESSION WASHER
4. ESCAPEMENT COVER	13. OUT-CLICK ASSEMBLY	22. DRAG NUT
5. ESCAPEMENT SCREWS (4)	14. FRAME	23. "PO" RING (RETAINING RING)
6. SPINDLE	15. DRAG KNOB ASSEMBLY	24. DRAG KNOB CAP
7. TITANIUM DRAG PIN	16. WAVE WASHER	25. DRAG KNOB SCREWS (2)
8. SPINDLE SPRING	17. SPINDLE NUT WASHER	
9. DRAG SCREW	18. SPINDLE NUT	